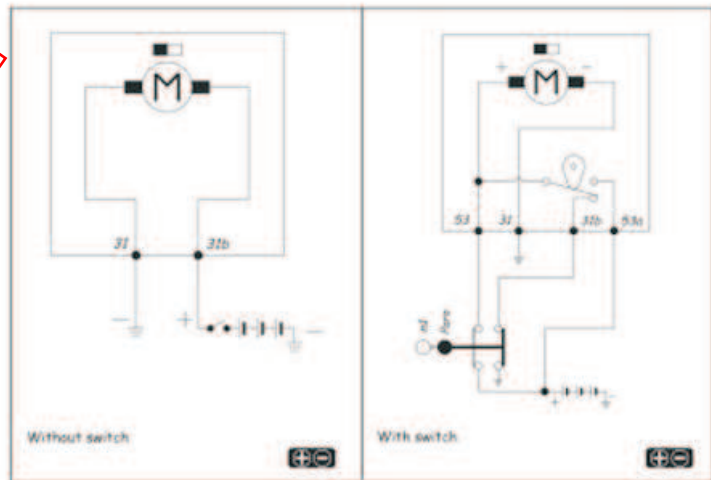
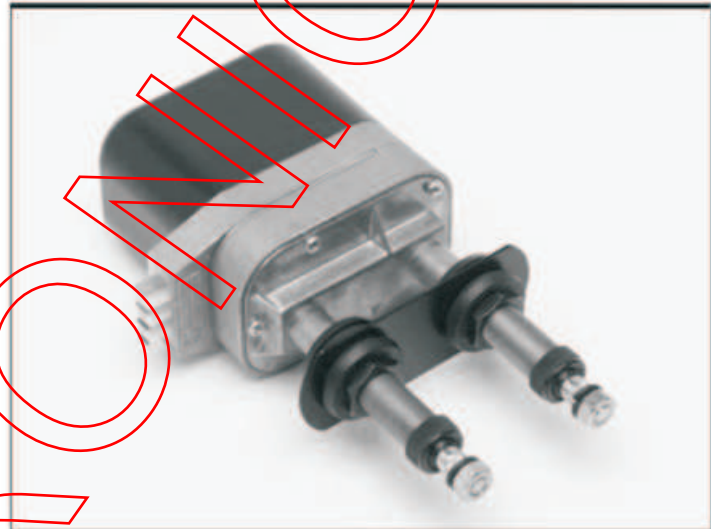
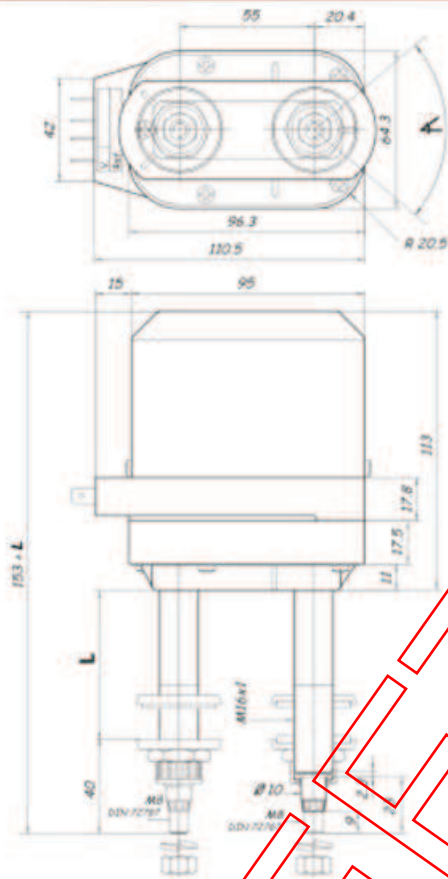


NOMINAL TORQUE	1,4 Nm	STALL TORQUE	7 Nm	SHAFT - mm	M6
----------------	------------------	--------------	----------------	------------	-----------



MOTOR REF NO:	VOLTS	∠°	SPEEDS	RPM
113.7243.28.00	12	60	1	43
113.7243.38.00	24	60	1	43
113.7443.28.00	12	90	1	43
113.7443.38.00	24	90	1	43

ARM REF NO:	MAX L (MM)
123.0722.GA 04	450
123.0723.GA 04	500

WIPER BLADES REF NO:	MAX L (MM)
D 40	400
D 45	450
P 50.1	500
138.3940.GA04	400
139.3950.GA04	500



- Motors with different shaft lengths and sweep angle options. Available upon request without automatic park, with thermoswitch (12V only) or with switch.