

A

B

C

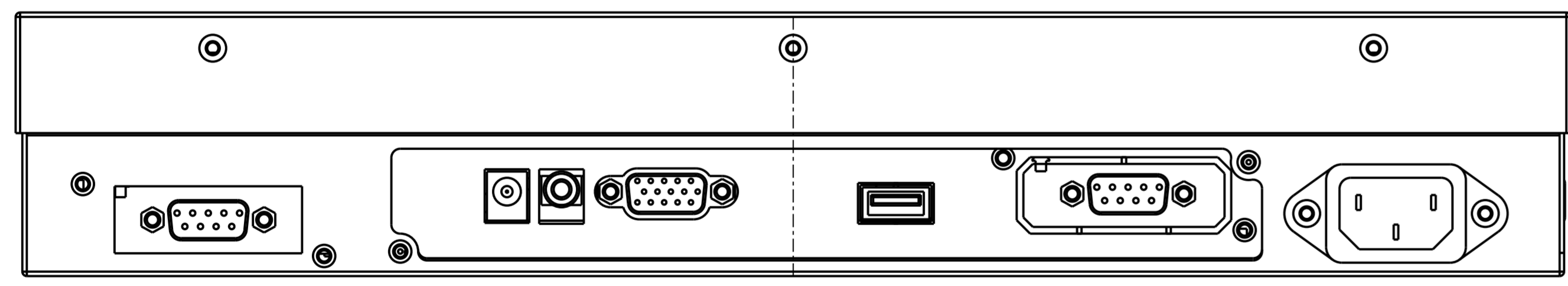
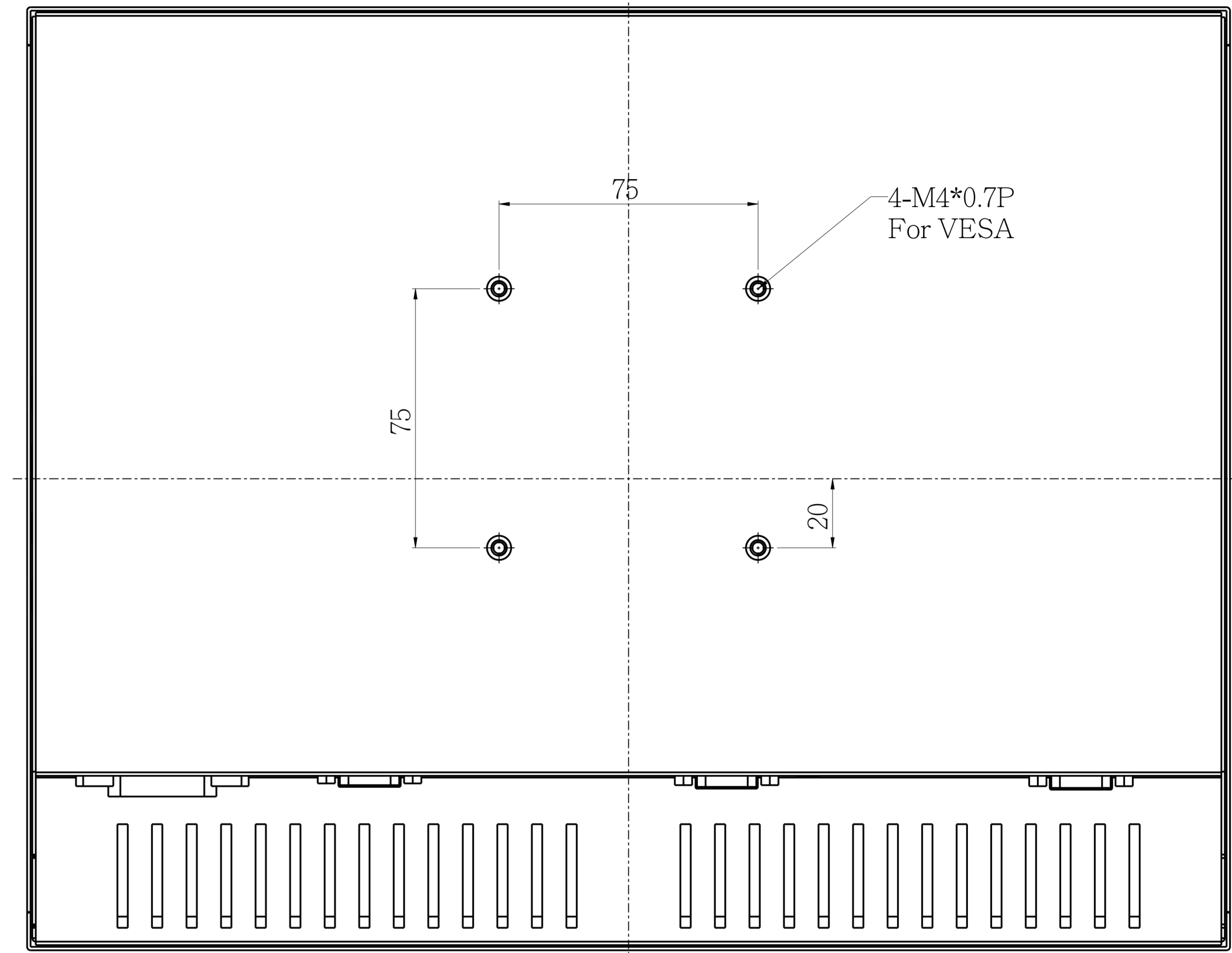
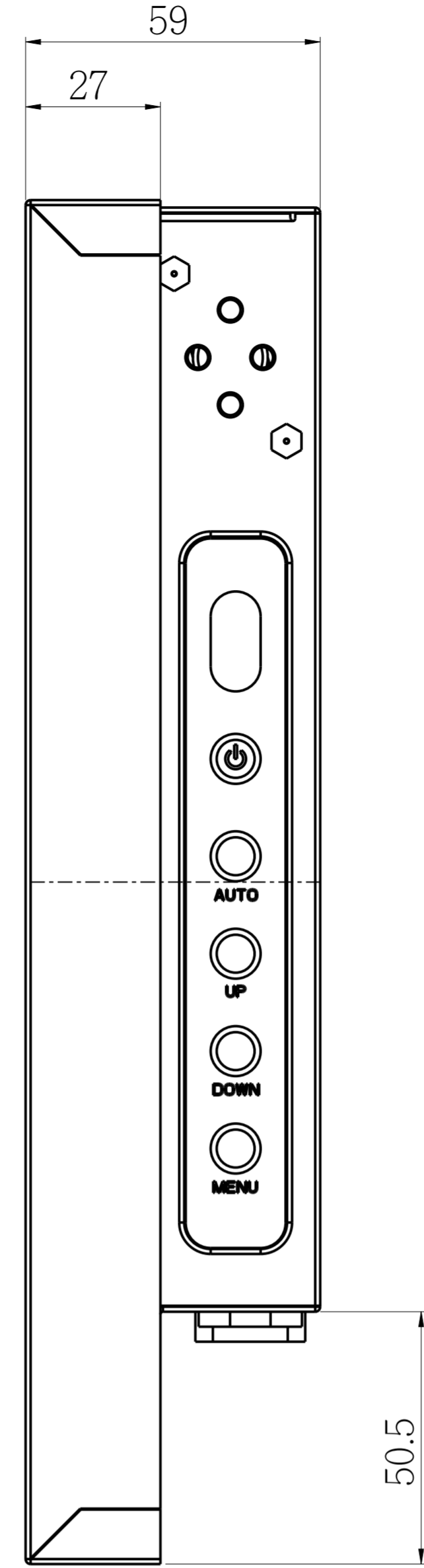
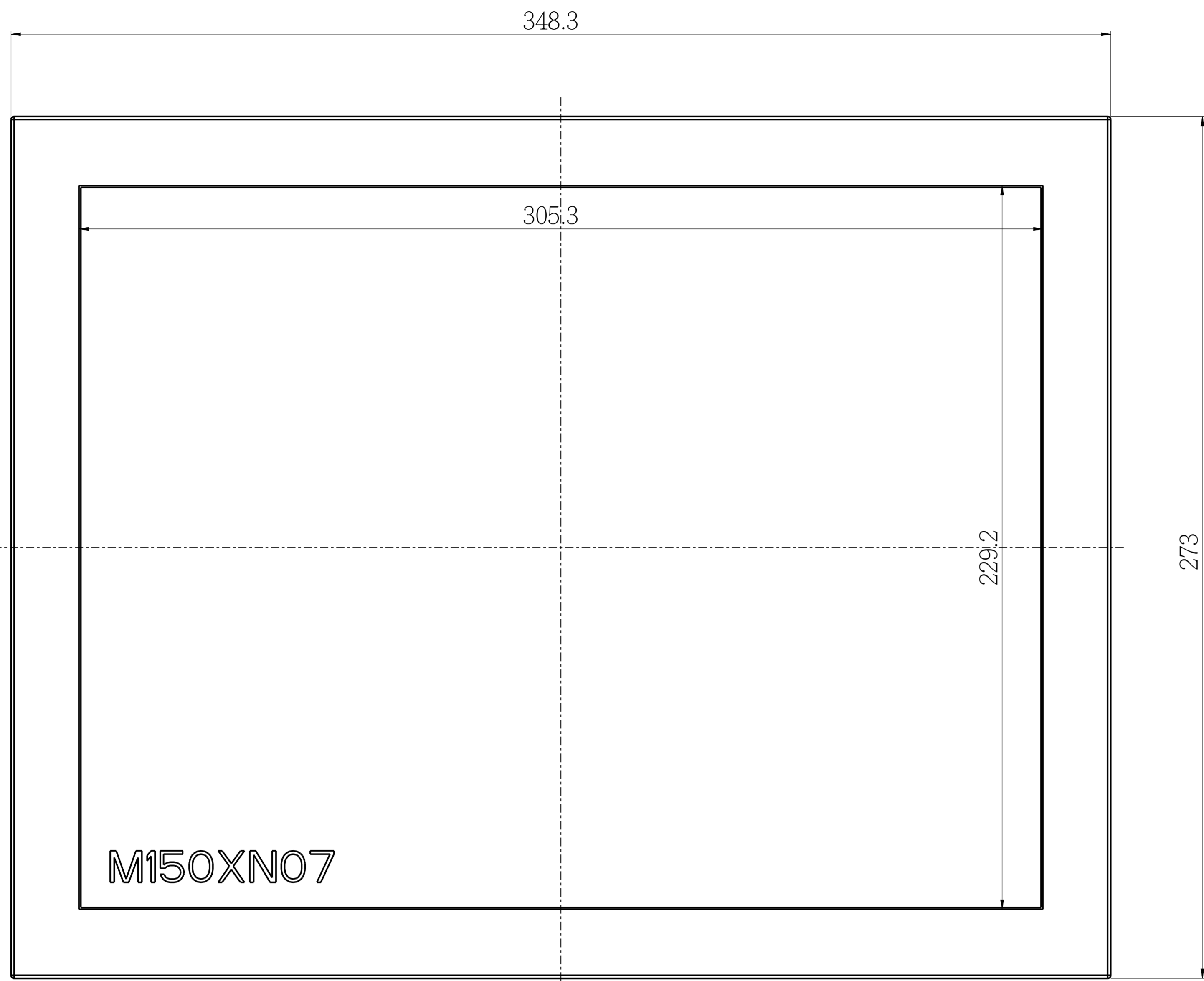
D

A

B

C

D



AD/BOARD		MODEL	NI-CH15 NIROLO 15" CHASSIS / OPBOUW MONITOR			NIROLO PROFESSIONAL DISPLAYS BV					
INVERTER						PART NAME	ASSEMBLY			SCALE	1.000
KEY PAD						APPROVED	DRAWN	Jack	UNIT	MM	
PANEL:		VERSION	MATERIAL	DATE							
		V1	METAL	2012-Mar-01							